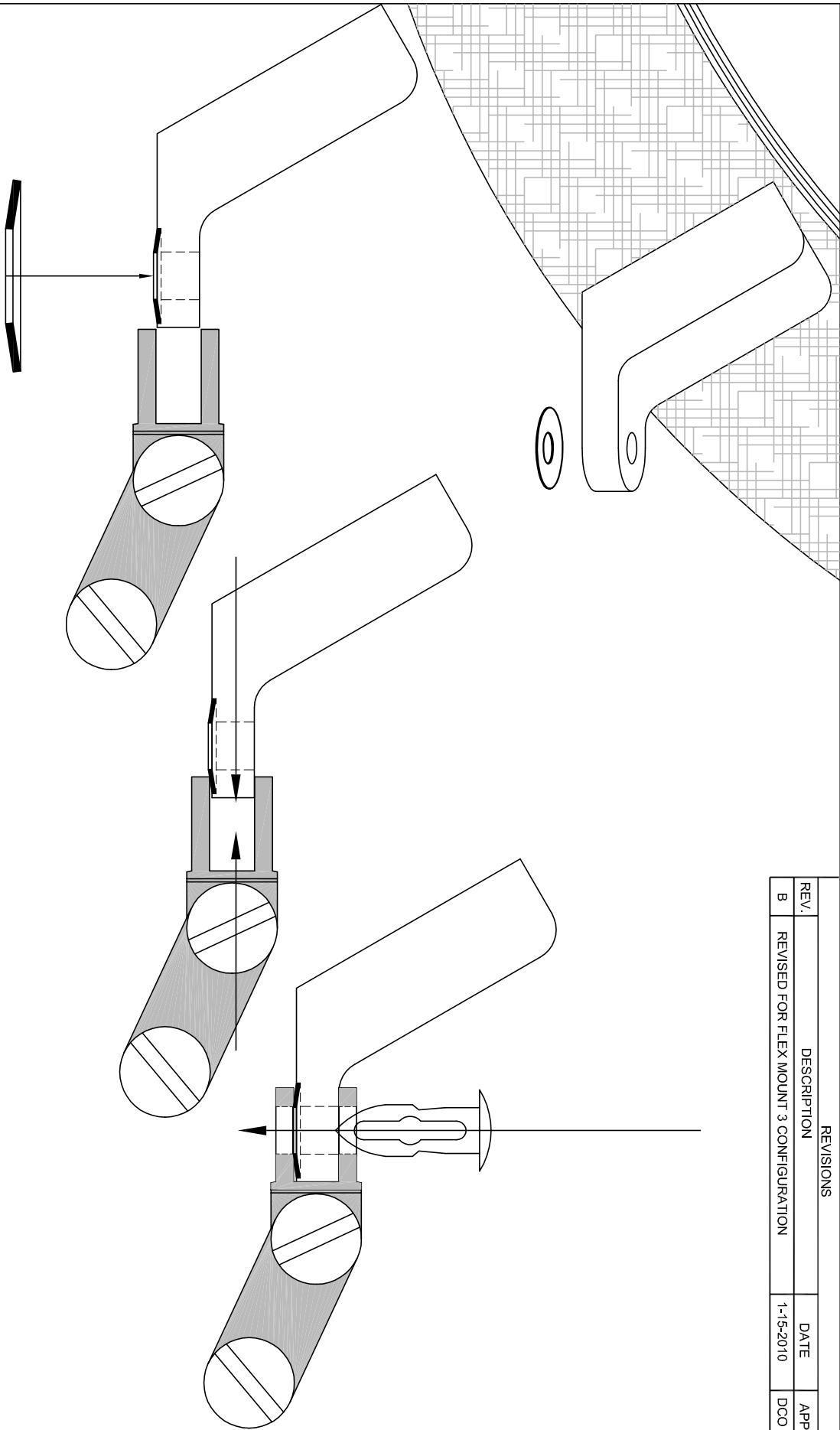


REVISIONS			
REV.	DESCRIPTION	DATE	APPROVED
B	REVISED FOR FLEX MOUNT 3 CONFIGURATION	1-15-2010	DCO



POSITION BELLEVILLE WASHER IN RECESS OF MOUNTING EAR AS SHOWN, ENGAGE CLEVIS OF HEADLIGHT AS SHOWN AND PUSH INTO PLACE.
 ALIGN PARTS AND PUSH PLASTIC RIVET INTO PLACE.

Sunoptic TECHNOLOGIES® 6018 BOUNDSDALE AVENUE JACKSONVILLE, FL 32216		TEL. 904-737-7611 FAX. 904-733-4832	
REFERENCE:	HEADLIGHT ATTACHMENT TO SPORT HEADBAND	STOCK:	LTT134
DRAWN: JDH	DATE: 1-15-2007	SCALE:	CHECKED: ITEM No.
MATERIAL:	FINISH:	SHEET:	1 OF 1
			B